

# Vessel Sealer Extend from da Vinci Energy

Slimmer jaws.<sup>1</sup> Extended versatility.

Use a 30% slimmer jaw profile<sup>1</sup> for precise dissection, grasp with the textured surface<sup>1</sup> to secure tissue, then approach anatomy from the angle you prefer by articulating the wrist.

With the instrument in position, an electrode that is 3 mm longer helps you confidently seal and cut vessels up to 7 mm in diameter or tissue bundles that fit in the jaws.<sup>1</sup>

---

## 01

Optimize dissection and tissue manipulation with a 30% slimmer jaw profile.<sup>1</sup>

---

## 02

Extend your seal and spot coagulate with a 3 mm longer electrode.<sup>1</sup>

---

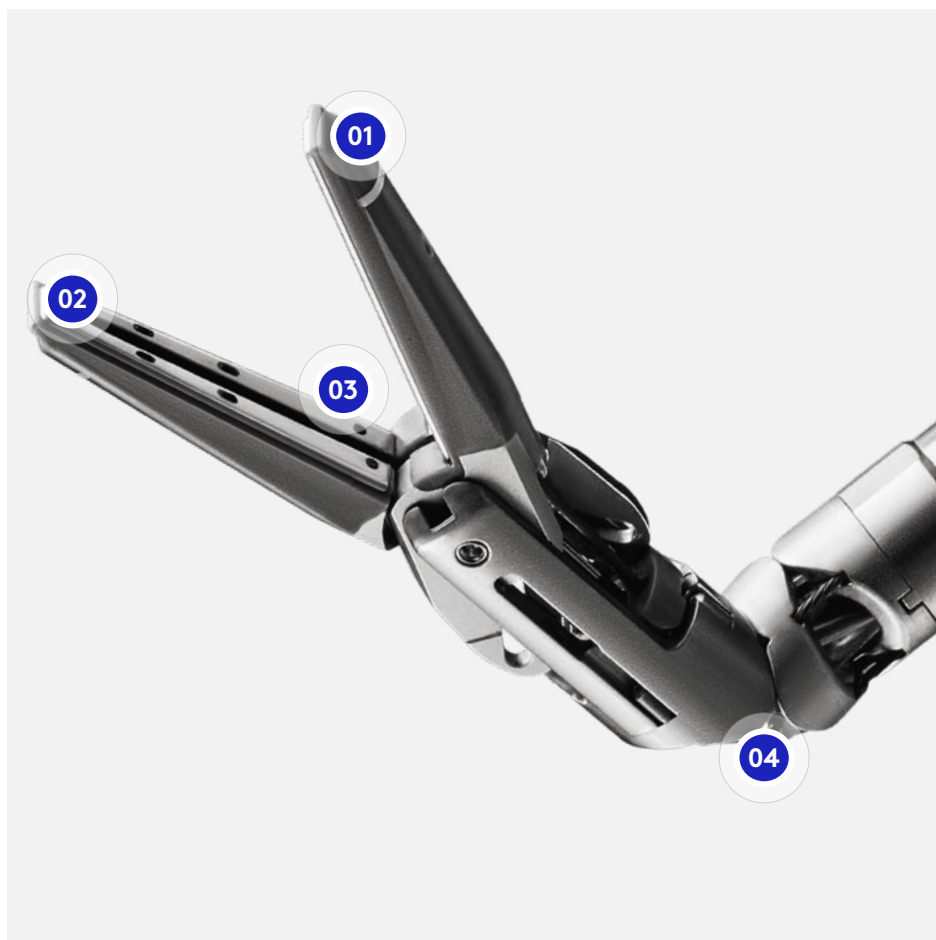
## 03

Reduce the need for an extra grasper with the stronger grip provided by a textured surface.<sup>1</sup>

---

## 04

Access vessels with 60° of fully wristed articulation, and create secure 90° seals and effective cuts.<sup>1</sup>





E-100 generator

### Maximize efficiency

With the E-100 generator from da Vinci Energy, Vessel Sealer Extend can seal twice as fast compared to Vessel Sealer Extend with the ERBE VIO dV generator.<sup>2</sup>

### Keep your temperatures even lower

Vessel Sealer Extend operates at a cooler jaw temperature with E-100 than with ERBE VIO dV.<sup>3</sup>

### Continue creating strong, secure seals

When using Vessel Sealer Extend with E-100, you can rely on strong seals<sup>4</sup> that will withstand more than three times normal systolic burst pressure with minimal lateral thermal spread.<sup>5</sup>

## Ordering Information

Part Number	Product Description	Uses	Quantity/Box
480422	Vessel Sealer Extend	Single use	6
378848	E-100 Generator	N/A	1 unit

1. Compared to EndoWrist Vessel Sealer. Data on file.
2. Compared to Vessel Sealer Extend with ERBE VIO dV in terms of seal activation times.
3. Compared to LigaSure® Blunt Tip, ENSEAL G2® ENSEAL Articulating, HARMONIC ACE®+7 and HARMONIC HD1000®. Data on file.
4. Compared to Vessel Sealer Extend with ERBE VIO dV.
5. Data on file.

### Product Information

#### Da Vinci X and Xi Surgical Systems

The Intuitive Surgical Endoscopic Instrument Control Systems (da Vinci X and da Vinci Xi Surgical Systems) are intended to assist in the accurate control of Intuitive Surgical Endoscopic Instruments during urologic surgical procedures, general laparoscopic surgical procedures, gynecologic laparoscopic surgical procedures, general thoracoscopic surgical procedures, and trans-oralotolaryngology surgical procedures restricted to benign tumors and malignant tumors classified as T1 and T2, and for benign base of tongue resection procedures. The systems are indicated for adult and pediatric use (except for trans-oral otolaryngology surgical procedures). They are intended to be used by trained physicians in an operating room environment.

The da Vinci X and da Vinci Xi Surgical Systems are class IIb medical devices CE marked (CE2460) under the European Medical Devices Directive (93/42/EEC),

manufactured by Intuitive Surgical, Inc. Refer to Instructions For Use before use.

#### Vessel Sealer Extend

The Vessel Sealer Extend is a bipolar electro-surgical sealing and cutting instrument for use with the da Vinci Xi and da Vinci X Surgical Systems and the compatible electro-surgical generator. It is intended for grasping and blunt dissection of tissue and for bipolar coagulation and mechanical transection of vessels up to 7 mm in diameter and tissue bundles that fit in the jaws of the instrument. The Vessel Sealer Extend has not been shown to be effective for tubal sterilization or tubal coagulation for sterilization procedures, and should not be used for these procedures.

The Vessel Sealer Extend is a class IIb medical device CE marked (CE 2460) under the European Medical Devices Directive (93/42/EEC), manufactured by Intuitive Surgical, Inc. Refer to Instructions For Use before use.

#### E-100 Electrosurgical Generator

E-100 Electrosurgical Generator is an electro-surgical unit (ESU) intended to deliver high-frequency energy (HF) for cutting, coagulation and vessel sealing of tissues. The E-100 Electrosurgical Generator is a class IIb medical devices CE marked (CE 2460) under the European Medical Devices Directive (93/42/EEC), manufactured by Intuitive Surgical, Inc. Refer to Instructions For Use before use.

#### ERBE

The ERBE Electrosurgical Generator unit (ESU) VIO 300D is intended to deliver High Frequency

(HF) current for the cutting and or coagulation of tissue.

The ERBE VIO 300D is a class IIb medical device CE marked (CE 0124) under the European Medical Devices Directive (93/42/EEC) manufactured by ERBE Elektromedizin GmbH. Refer to Instructions For Use before use.

#### Legal Notices

Individuals' outcomes may depend on a number of factors, including but not limited to patient characteristics, disease characteristics and/or physician/surgeon experience.

The information contained in this document has been checked and compiled with the greatest care. However, no responsibility is taken for its correctness, completeness and topicality. It is the sole responsibility of the recipient to check all information before using it in the individual case.

Some products, features or technologies may not be available in all countries. Please contact your local Intuitive representative for product availability in your region.

#### Privacy Notice

Intuitive's Privacy Notice is available at [www.intuitive.com/privacy](http://www.intuitive.com/privacy).

© 2022 Intuitive Surgical Operations, Inc. All rights reserved. Product and brand names/logos are trademarks or registered trademarks of Intuitive Surgical or their respective owner.